

5.1 - 5.9 GHz 23dBi High Gain & Wide Band Directional Panel Antenna

APPLICATIONS AND FEATURES

Applications:

- 5.1 – 5.9 GHz ISM Band
- 5.3 GHz Band Applications
- 5.4 GHz Band Applications
- 5.8GHz UNII applications
- IEEE 802.11a Wireless LAN
- Unlicensed European 5.4 GHz Band Applications
- WiMAX Technology
- 5.8 GHz Wireless Video Systems

Features :

- Superior performance
- Light weight
- All weather operation
- DC Short lightning protection
- Installed for vertical
- Includes tilt and swivel mast mount
- Frequency Ultra-wide
- Can be installed for either vertical or horizontal polarization
- RoHS Compliant



SPECIFICATIONS:

Electrical Specifications

Frequency Range	5100 – 5900 MHz
V.S.W.R	1.5
Return Loss	-15db
Antenna Type	PCB patch array
Gain	23dBi
Polarization	Vertical or Horizontal
Maximum Power	50W
Vertical Beam-with	8 °
Horizontal Beam-with	8 °
Impedance	50 Ohm
Connector	N-Female

Mechanical Specifications

Length	370x370mm
Depth	35mm
Weight	700g
Wind Survival	> 120 MPH
Radome Material	ABS + UV resistance
Operating Temperature	- 40 to + 80
Down-tilt	“L “ Style 0-30 °
Mounting / Clamps	32 – 45mm / U-bolt
RoHS Compliant	Yes

PA-515923 antennas are professionally engineered and manufactured with the highest industry quality at the lowest possible price providing extreme value. The Panel antenna is designed for the 5.1-5.9GHz ISM band, supporting 5.1 to 5.9 GHz and provides superb performance in IEEE 802.11a WiMAX .

The antenna includes mounting bracket and hardware for up to 2” OD masts. Made with Apparel is ABS(UV) and Metal with an integrated N Female connector.

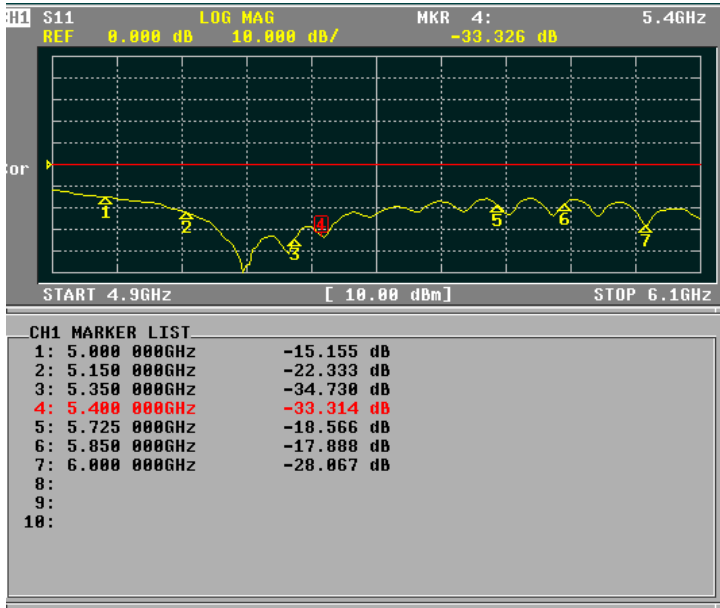
The antenna “L” style staddle is have many action, A user can adjust “L” style Up 30 ° and Down 30 ° and stong anchor manner.

The appearance of PA-515923 has good outdoors characteristic for the ABS, PA-515923 all materials are all to consider good of watertightness and prevention rust of characteristic, and the products all pass a strict test test, satisfy professional user for product need, the PA-515923 can let the user be used for perpendicularity to turn very to turn with level very, letting the user do an usage according to the environment need

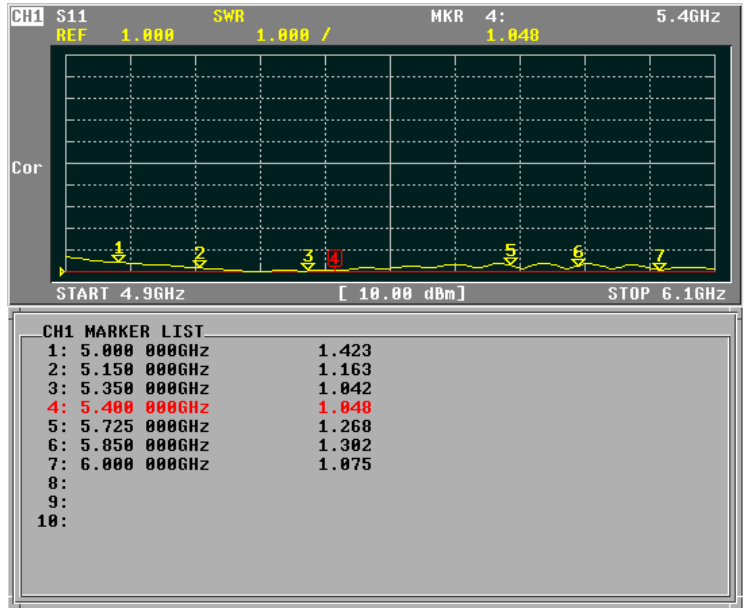
PA-515923 Test Report

5.1-5.9 GHz High Gain & Wide Band Directional Panel Antenna

Return loss & V.S.W.R

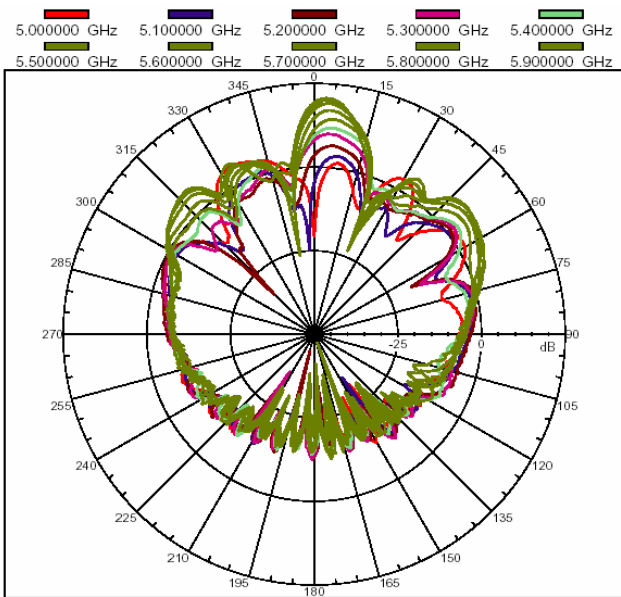


Return loss



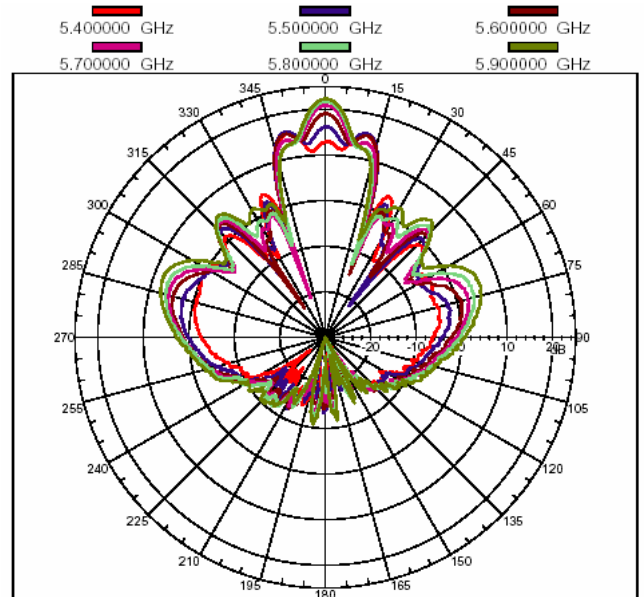
V.S.W.R

Antenna Vertical & Horizontal Pattern



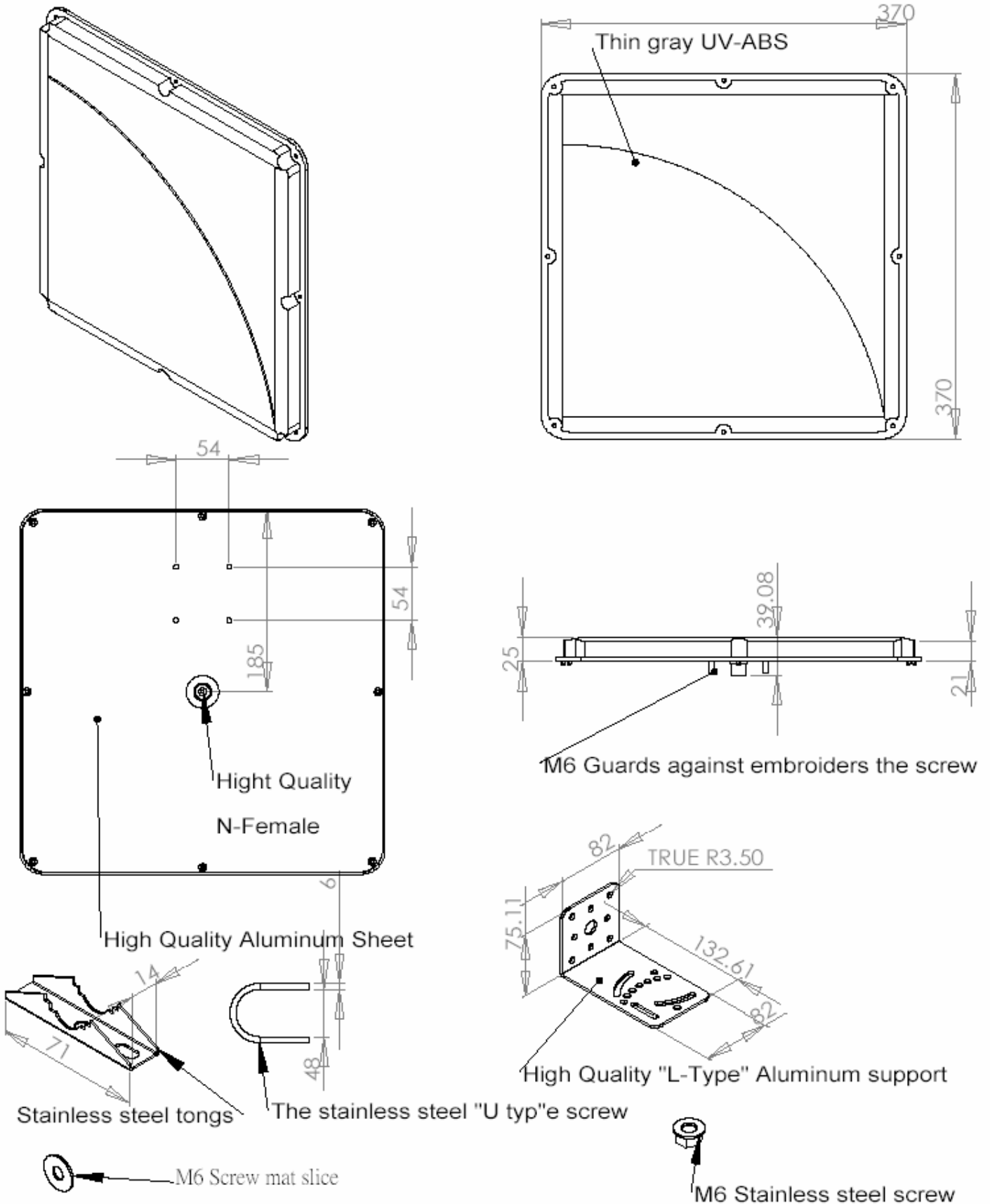
Vertical

E-plane co-pol ----- 3-dB beam-with=8°



Horizontal

H-plane co-pol ----- 3-dB beam-with=8°



Product name	Amount	Remarks
Antenna	1	ABS and Aluminum
"L" type support	1	Aluminum
Tongs	2	Stainless steel
M6 "U" type screw	2	Stainless steel
M6 screw	8	Stainless steel
M6 Screw mat slice	8	Stainless steel

